



Opel

Item No. 3182 600 111



Fig. 1: Concentric Slave Cylinder (CSC)

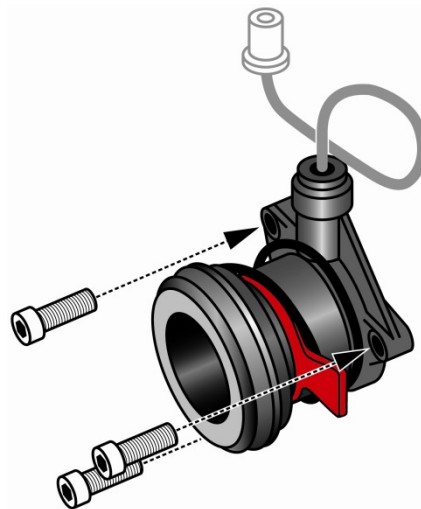


Fig. 2: Installation in transmission housing

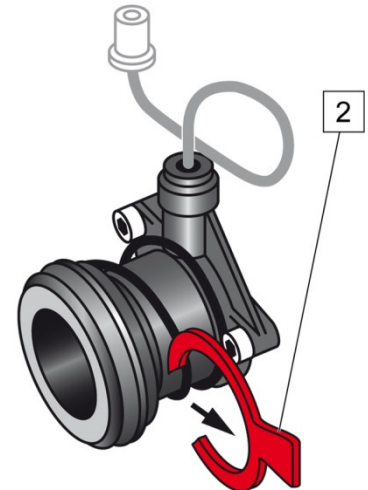


Fig. 3: Remove transport safety device

1 Concentric Slave Cylinder (CSC)

3 Sealing ring

2 Transport safety device

### NOTICE

- Mount the enclosed sealing ring (3) (Fig. 1).
- Observe tightening torques. Observe the instructions issued by the vehicle manufacturer.
- After installing the concentric slave cylinder, remove the transport safety device by pulling the tab (2) (Fig. 3).



[www.zf.com/serviceinformation](http://www.zf.com/serviceinformation)